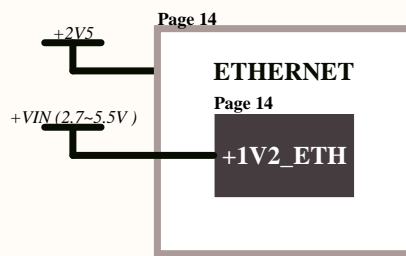
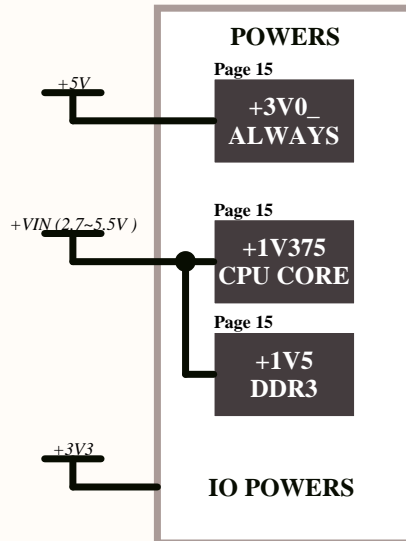
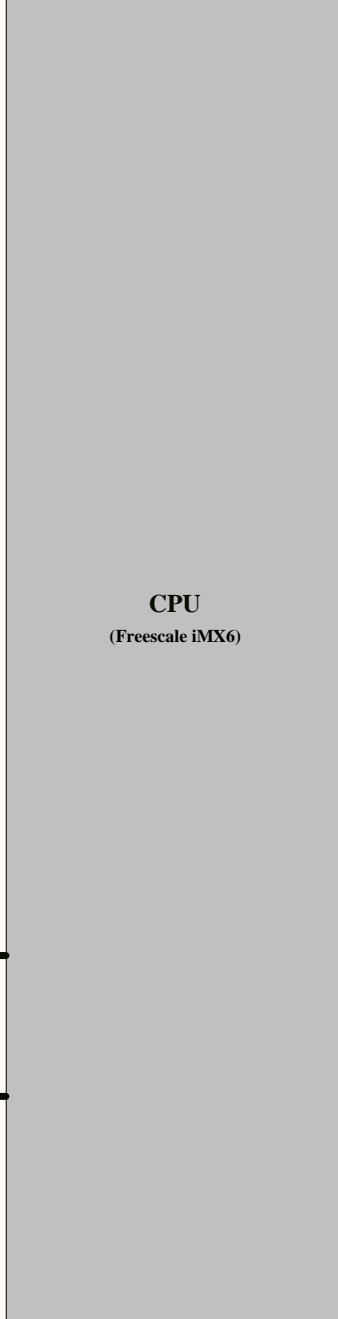


# iMX6 Tiny Rex (Block Diagram)

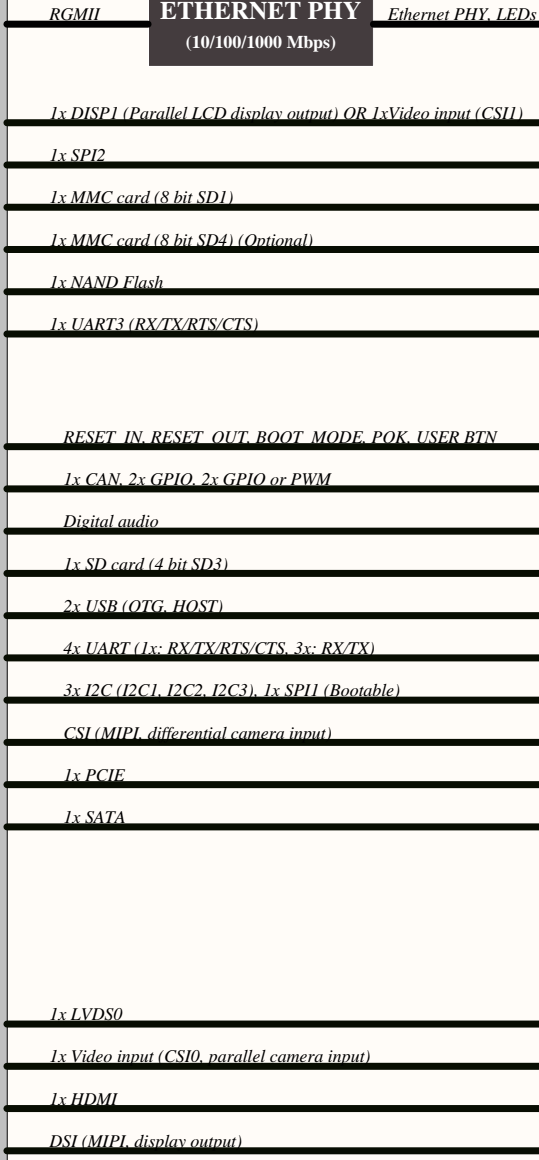
DESIGN NOTE:  
Module powering options  
1) Simple power: +3V3, +5V (no ethernet)  
2) Lipo battery support: +2.7-5.5V, +3V3, +5V (no ethernet)  
3) Ethernet support: +2.7-5.5V, +3V3, +5V, (+2V5, +1V2 optional)



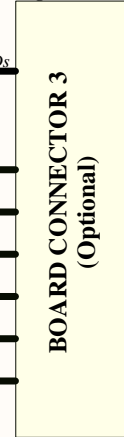
Pages 4 - 13



Page 14



Page 3



Page 3



Page 3

