

LVDS Adapter Type 1

Variant: Prototype

10. 6. 2014
V1I1

RELEASED 10-JUN-2014

Page	Index	Page	Index	Page	Index	Page	Index
1	COVER PAGE	11	21	31
2	BLOCK DIAGRAM	12	22	32
3	ADAPTER	13	23	33
4	DOC: REVISION HISTORY	14	24	34
5	15	25	35
6	16	26	36
7	17	27	37
8	18	28	38
9	19	29	39
10	20	30	40

DESIGN CONSIDERATIONS

DESIGN NOTE:
Example text for informational
design notes .

DESIGN NOTE:
Example text for critical
design notes.

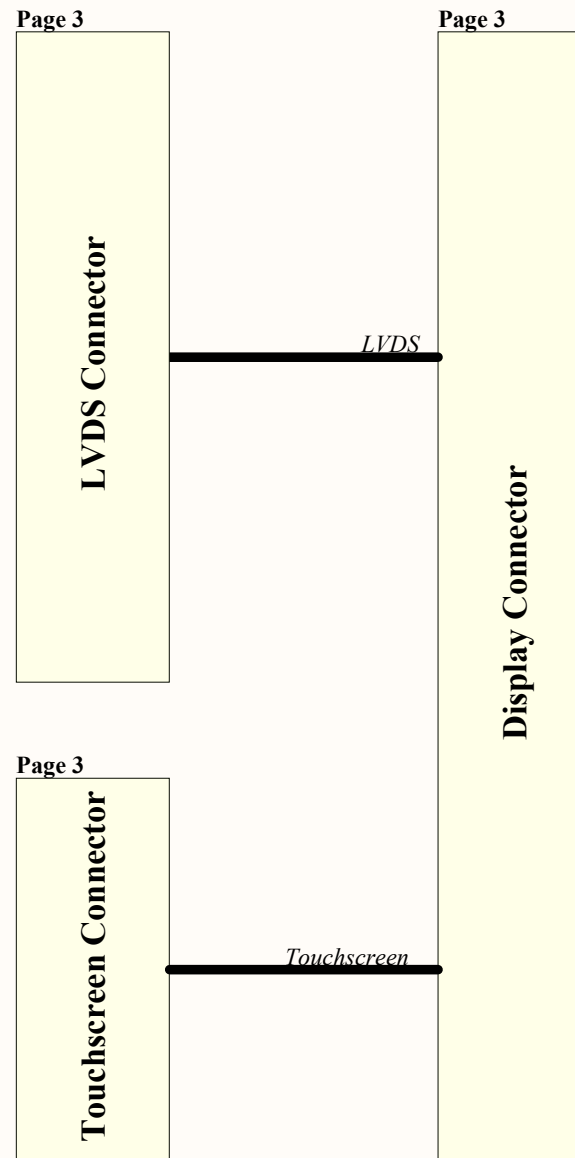
DESIGN NOTE:
Example text for cautionary
design notes.

LAYOUT NOTE:
Example text for critical
layout guidelines.

(c) 2014 FEDEVEL www.fedevel.com		CONFIDENTIAL. Do not distribute.	
Title:	LVDS Adapter Type 1	Variant:	Prototype
Page Contents:	[01] - COVER PAGE.SchDoc	Checked by:	
Size:	DWG NO	Revision:	VIII
Date:	10. 6. 2014	Sheet	1 of 5

LVDS Adapter Type 1

(Block Diagram)



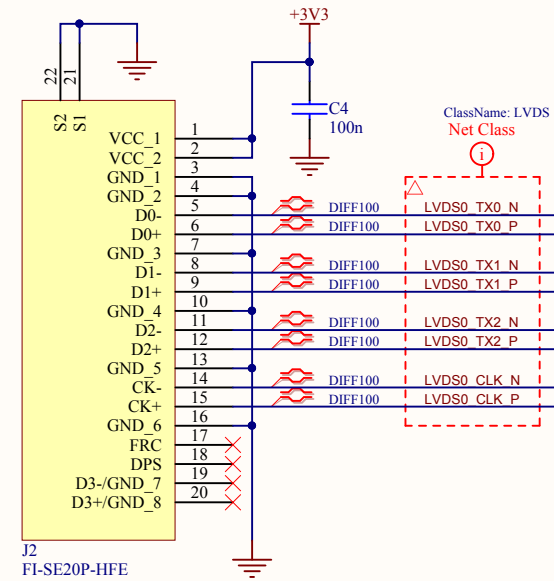
CLOCKS (CPU & PCIe)

(c) 2014 FEDEVEL www.fedevel.com		CONFIDENTIAL. Do not distribute.	
Title:	LVDS Adapter Type 1	Variant:	Prototype
Page Contents:	[02] - BLOCK DIAGRAM.SchDoc	Checked by:	
Size:	DWG NO	Revision:	VIII
Date:	10. 6. 2014	Sheet	2 of 5

ADAPTER

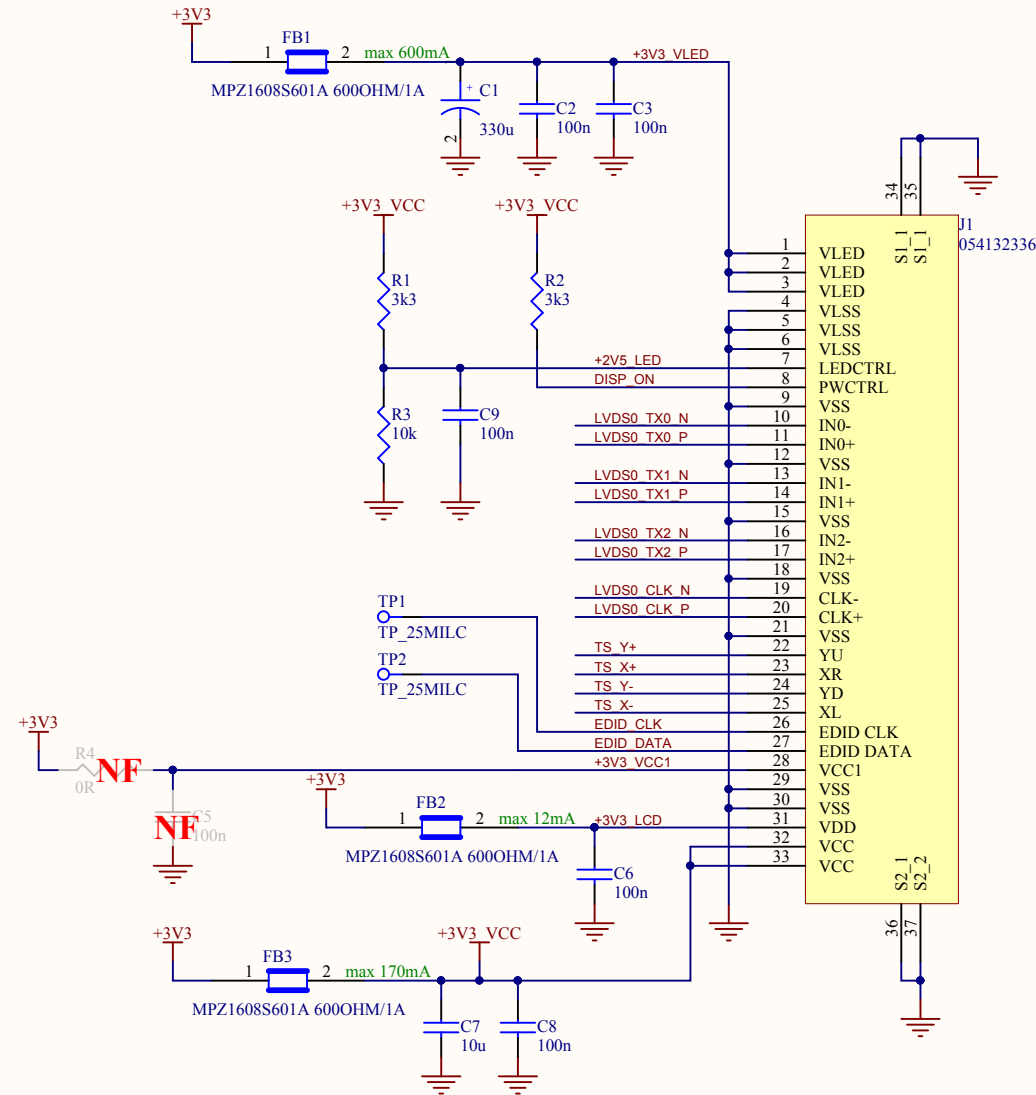
LVDS Connector

DESIGN NOTE:
Be sure you will supply the adapter with +3V3.



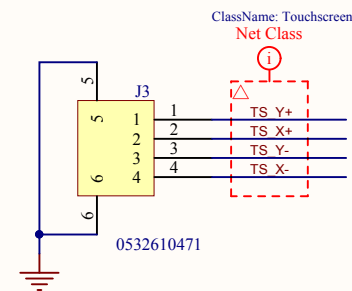
DESIGN NOTE:
iMX6 Design Guide: if LVDS signal is not used leave float

Display Connector

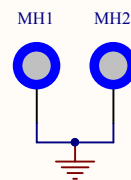


DESIGN NOTE:
Vin = 3.3V
Vout = Vin * (R3/(R1+R3)) =
3,3*(10k/(10k+3k3))=3,3*0,752=2,48V

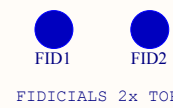
Touchscreen Connector



Mounting holes



Fiducials



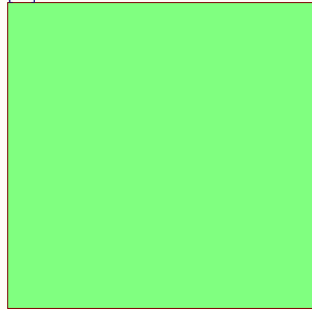
(c) 2014 FEDEVEL www.fedevel.com		CONFIDENTIAL. Do not distribute.	
Title:	LVDS Adapter Type 1	Variant:	Prototype
Page Contents:	[03] - ADAPTER.SchDoc	Checked by:	
Size:	DWG NO	Revision:	VIII
Date:	10. 6. 2014	Sheet	3 of 5

DOC: REVISION HISTORY

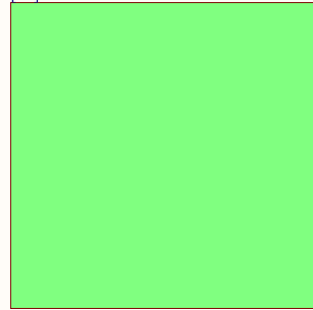
CLOCKS (CPU & PCIE)

(c) 2014 FEDEVEL www.fedevel.com		CONFIDENTIAL. Do not distribute.	
Title:	LVDS Adapter Type 1	Variant:	Prototype
Page Contents:	[04] - DOC REVISION HISTORY.SchDoc	Checked by	
Size:	DWG NO	Revision:	VIII
Date:	10. 6. 2014	Sheet	4 of 5

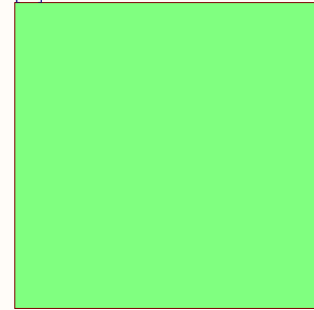
Designator
[01] - COVER PAGE.SchDoc



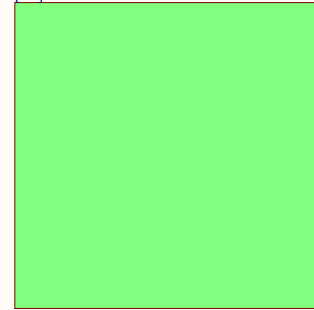
Designator
[02] - BLOCK DIAGRAM.SchDoc



Designator
[03] - ADAPTER.SchDoc



Designator
[04] - DOC REVISION HISTORY.SchDoc



TEMPLATE NOTES

Set Project Parameters

- 1) Go to Project -> Project Options -> Parameters
- 2) Set Company, Project and VersionRevision

Mark Not Fitted Components as

NF

Net Class Example



Differential signal example



TITLE Examples (You can change the color to reflect your company color)

PAGE TITLE

Peripheral / Group of component title

Smaller Title

Schematic Status Explanation

DRAFT - Very early stage of schematic, ignore details.

PRELIMINARY - Close to final schematic.

CHECKED - There should not be any mistakes. Tell the engineer if you find one.

RELEASED - A board with this schematic has been sent to production.

(c) 2014 FEDEVEL www.fedevel.com		CONFIDENTIAL. Do not distribute.	
Title:	LVDS Adapter Type 1	Variant:	Prototype
Page Contents:	LVDS Adapter Type 1 Project.SchDoc	Checked by:	
Size:	DWG NO	Revision:	VIII
Date:	10. 6. 2014	Sheet	5 of 5

Assembly Top of LVDS Adapter Type 1 U111

