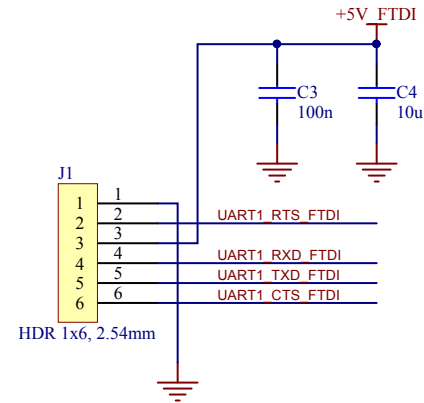
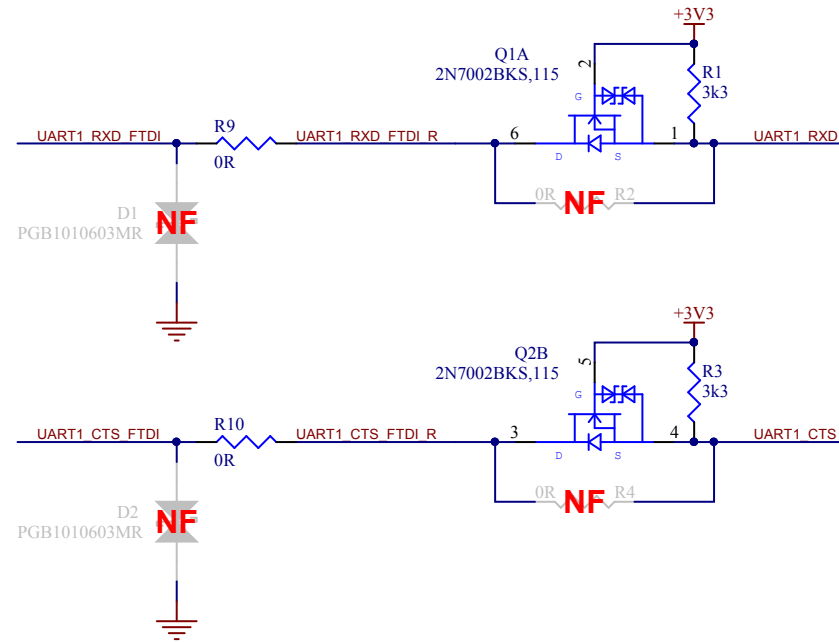


Serial console isolation

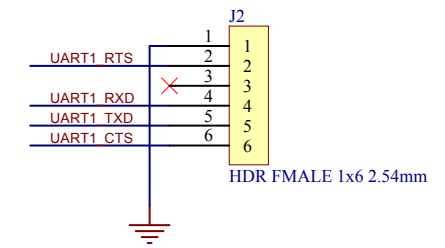
Male header to serial cable



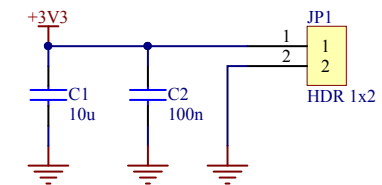
Buffers for CPU Input Pins



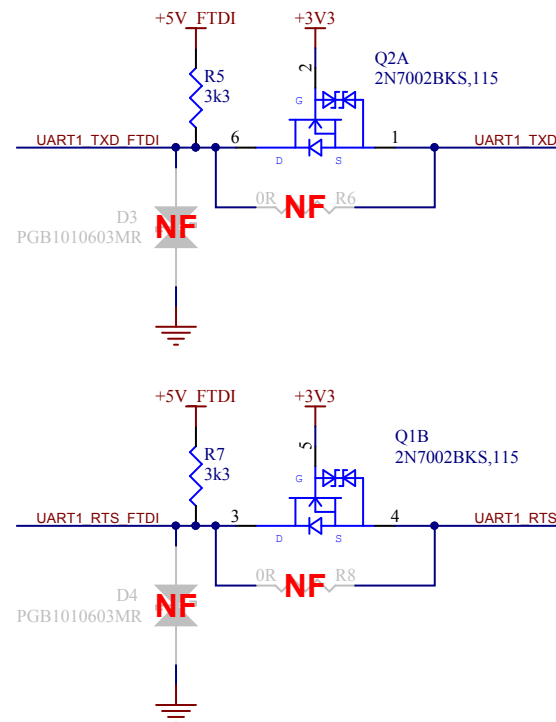
Female header to board



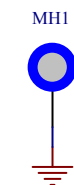
Male header to board



Buffers for CPU Output Pins



Mounting Hole



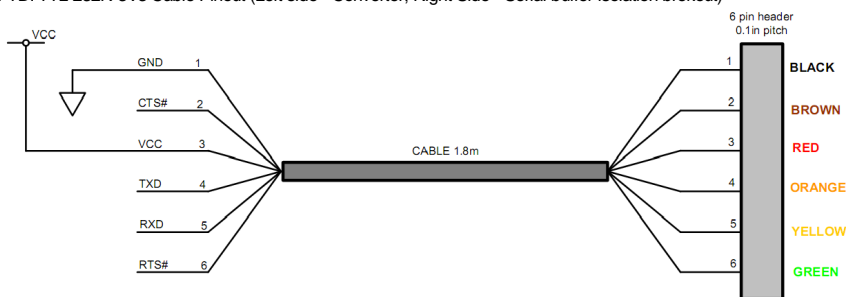
Mounting hole 7.4mm pad 3.2mm drill
A BREAKOUT MOUNTING HOLE



DESIGN NOTE:
UART signals are named from i.MX6 CPU point of view.

DESIGN NOTE:
Connector compatible with FTDI TTL-232R-3V3 TTL to USB Serial Converter Cable:
http://www.ftdichip.com/Support/Documents/DataSheets/Cables/DS_TTL-232R_CABLES.pdf

DESIGN NOTE:
FTDI TTL-232R-3V3 Cable Pinout (Left side - Converter; Right Side - Serial buffer isolation breakout)



(c) 2015 FEDEVEL		FREE for personal and commercial use.	
Title:	Serial console buffer	Variant:	Initial testing
Page Contents:	[03] - SCHEMATIC.SchDoc	Checked by:	
Size:	DWG NO	Revision:	VIII
Date:	23. 9. 2015	Designed by	www.fedevel.com
Sheet	3	of	5